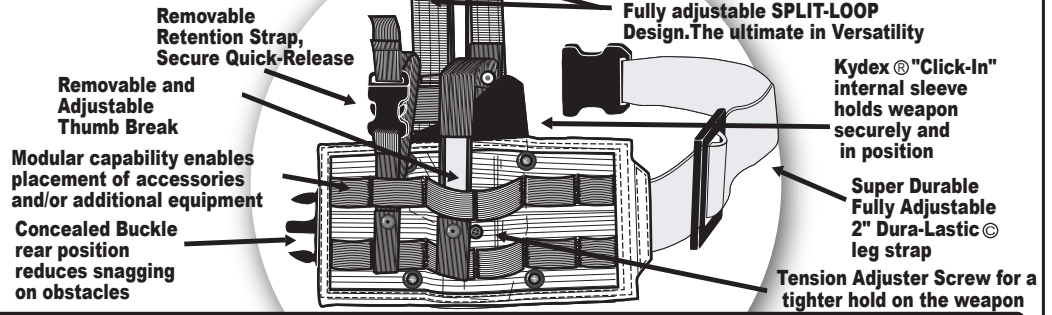


VAPOR HOLSTER

SPEC.-OPS. ® BRAND

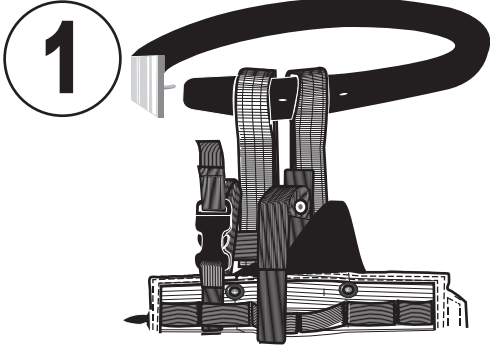
IMPORTANT

READ AND FOLLOW THE PROCEDURES PRINTED ON THE BACK OF THIS INSTRUCTION SHEET BEFORE USING OR ADJUSTING THE VAPOR HOLSTER. YOU MUST READ YOUR FIREARM MANUFACTURER'S MANUAL BEFORE USING THIS PRODUCT. FAILURE TO FOLLOW THIS RECOMMENDATION MAY RESULT IN ACCIDENTAL DISCHARGE OF THE FIREARM CAUSING SERIOUS INJURY OR DEATH.

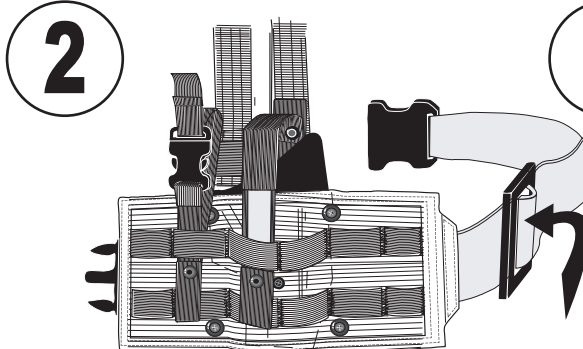


COMFORTABLE, LIGHTWEIGHT, HIGH PERFORMANCE HOLSTER WITH MOLDED VAPOR PANEL TO REDUCE LEG-SWEATING

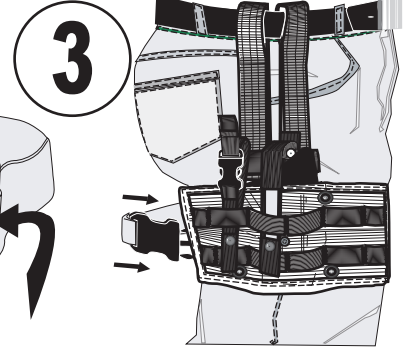
DO NOT PROCEED until you have completely read and comprehended the content of your firearm's instruction manual and have read, comprehended and complied with the procedures on the **FRONT AND BACK SIDES** of this sheet. SPEC.-OPS.® Brand **WILL NOT BE HELD RESPONSIBLE FOR ANY ACTS OF IGNORANCE, CARELESSNESS, BLATANT STUPIDITY, OR OTHERWISE THAT COULD, MIGHT, OR DOES RESULT IN INJURY TO ANY PERSONS, PROPERTY, OR OTHERWISE WHEN USING A FIREARM IN CONJUNCTION WITH THIS HOLSTER.**



1 Insert your belt through the Split-Loops



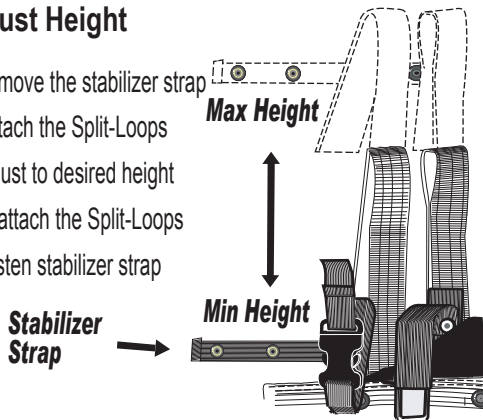
2 Strap around your leg



3 Attach and secure the side-release buckle

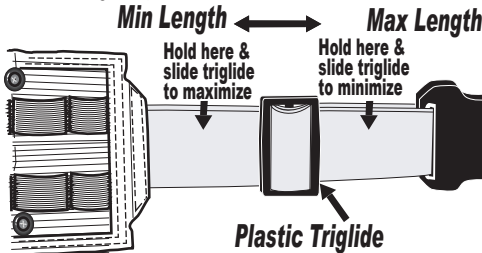
Adjust Height

- Remove the stabilizer strap
- Detach the Split-Loops
- Adjust to desired height
- Reattach the Split-Loops
- Fasten stabilizer strap



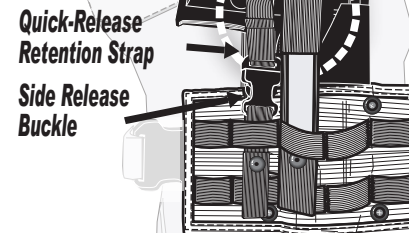
Adjust Leg Strap

- Hold the Dura-Lastic® and slide the plastic triglide to adjust the length of the leg strap



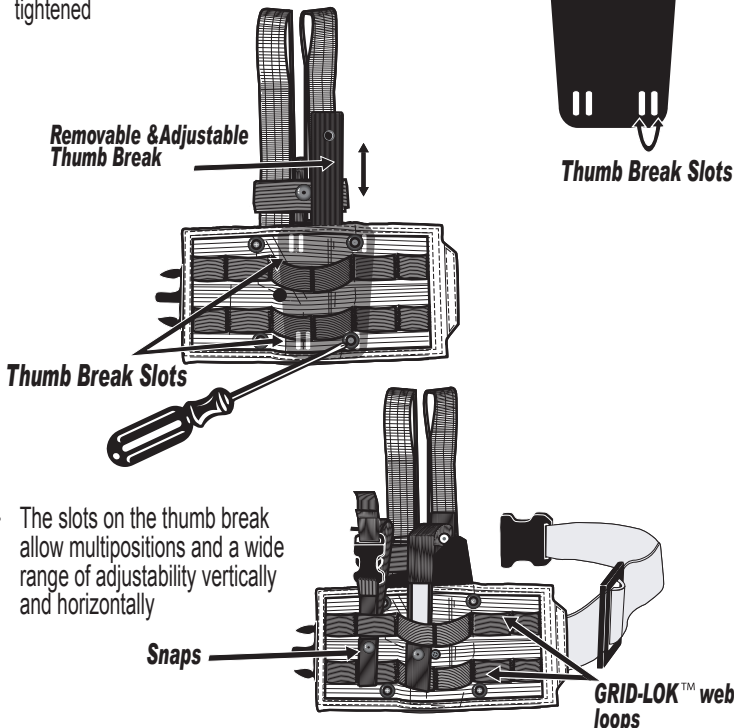
Quick-Release Retention

- Pull the Quick Release Retention Strap to fasten and secure the weapon. Unfasten using the side release buckle.



Removable & Adjustable Thumb Break

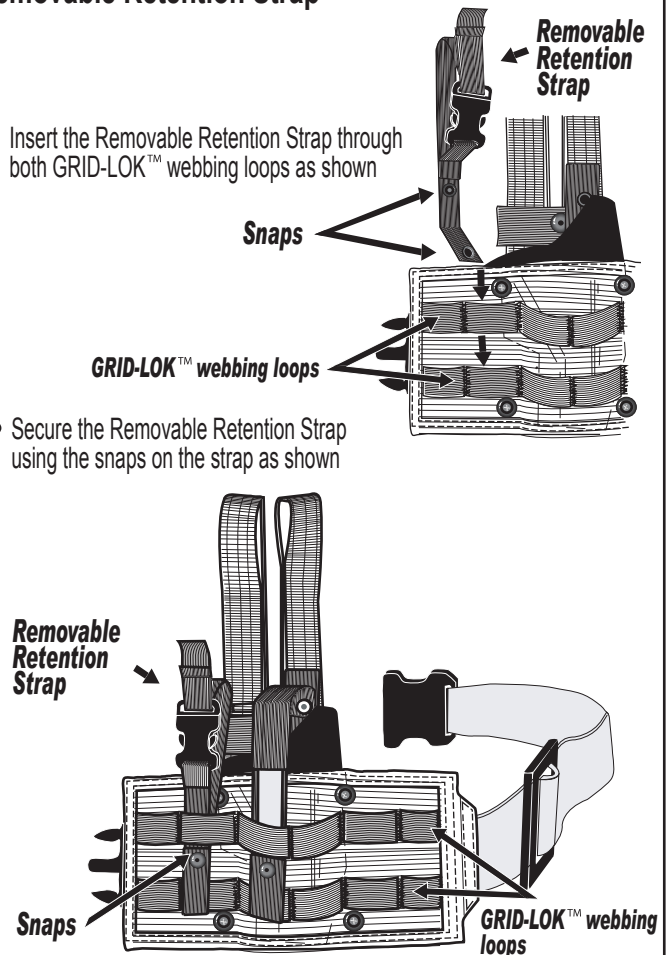
- Thumb Break can be adjusted sideways using the perforated slots. Remove the screws using a phillips screwdriver
- Adjust the height of the fixed part of the thumb break by releasing the screws that fasten the thumb break. Move up or down to desired height
- Fasten the screws using a phillips screwdriver. Use a flat screwdriver to keep the post from turning on the back of the holster while the screws are being tightened



- The slots on the thumb break allow multipositions and a wide range of adjustability vertically and horizontally

Removable Retention Strap

- Insert the Removable Retention Strap through both GRID-LOK™ webbing loops as shown



- Secure the Removable Retention Strap using the snaps on the strap as shown