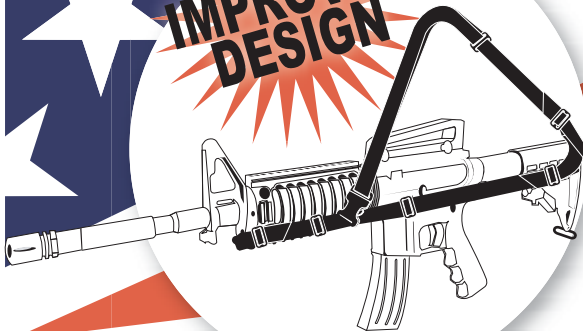


SPEC.-OPS[®] BRAND

Instructions for Ambidextrous UNI-Sling 101 Fits Collapsible and Fixed Stock

**IMPROVED
DESIGN**

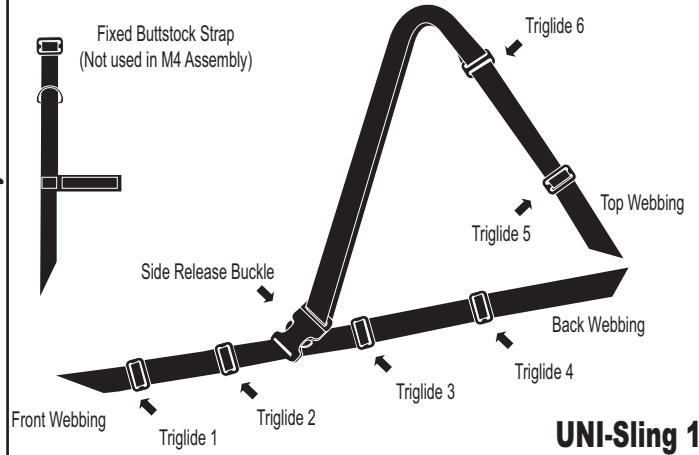


M-4 Assembly

**FOLLOW STEPS 1 THROUGH 6 FOR THE ASSEMBLY OF THE UNI-Sling 101. USE THE ASSEMBLY PARTS LIST FOR REFERENCING THE DRAWINGS.
NOTE: THE FIXED BUTTSTOCK STRAP IS INTENDED FOR THE ASSEMBLY OF THE UNI-Sling 101 ON M-16 RIFLES ONLY.**

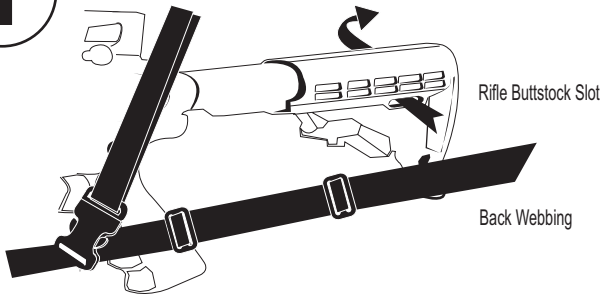
Assembly Parts List

WORKS FOR EITHER SIDE OR BOTTOM SLING SWIVELS

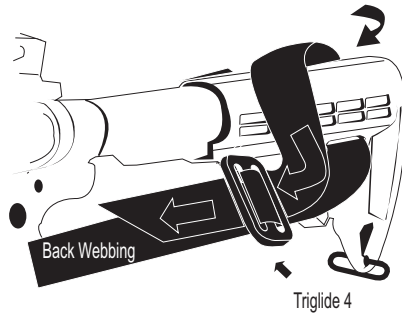


UNI-Sling 101

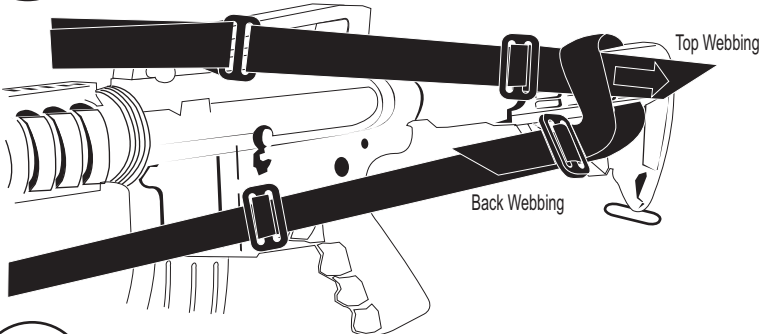
1 Insert the *Back Webbing* of the UNI-Sling 101 through rifle buttstock slot



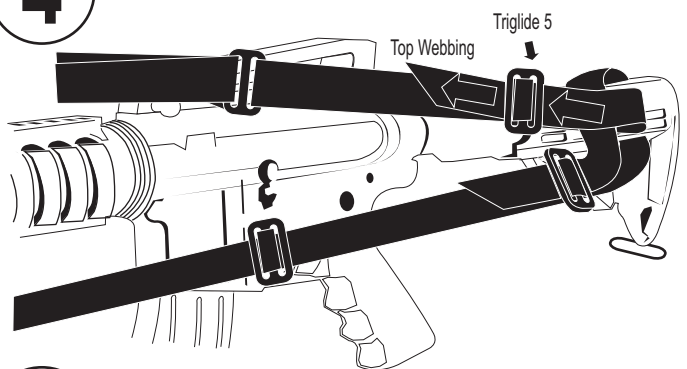
2 Loop the *Back Webbing* of the UNI-Sling 101 through *Triglide 4*



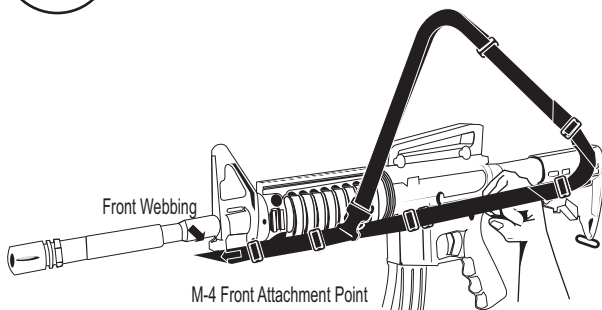
3 Loop the *Top Webbing* of the UNI-Sling 101 through the loop created by the *Back Webbing* in step 2



4 Loop the *Top Webbing* of the UNI-Sling 101 through *Triglide 5*



5 Place your fist between the sling and the rifle, as shown, and insert the *Front Webbing* through the *M-4 Front Attachment Point*



6 Back loop the *Front Webbing* of the UNI-Sling 101 through *Triglide 1*. Now you are all set to use your UNI-Sling 101 on your collapsible buttstock rifle!

