

# SPEC.-OPS<sup>®</sup> BRAND

## Instructions for Ambidextrous UNI-Sling 101 Fits Collapsible and Fixed Stock

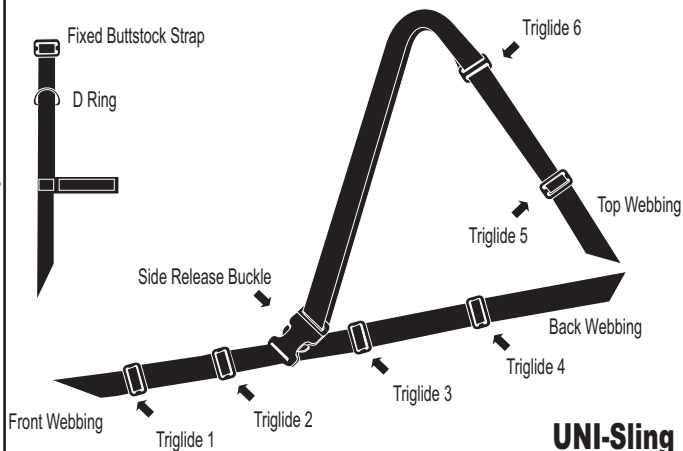
**IMPROVED  
DESIGN**



### M-16 Assembly

Assembly Parts List

**WORKS FOR EITHER SIDE OR BOTTOM SLING SWIVELS**

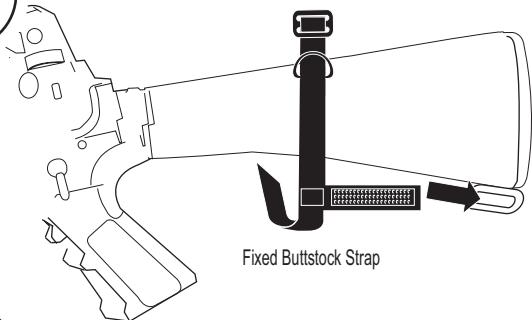


**UNI-Sling 101**

**FOLLOW STEPS 1 THROUGH 6 FOR THE ASSEMBLY OF THE UNI-Sling 101. USE THE ASSEMBLY PARTS LIST FOR REFERENCING THE DRAWINGS.  
NOTE: THE FIXED BUTTSTOCK STRAP IS INTENDED FOR THE ASSEMBLY OF THE UNI-Sling 101 ON M-16 RIFLES ONLY.**

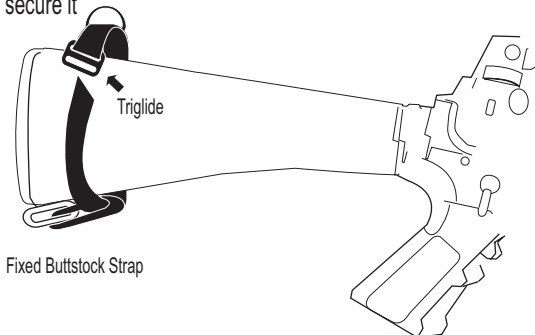
**1**

Insert and loop the shorter piece of webbing of the *Fixed Buttstock Strap* through the attachment point and secure it using the hook & loop



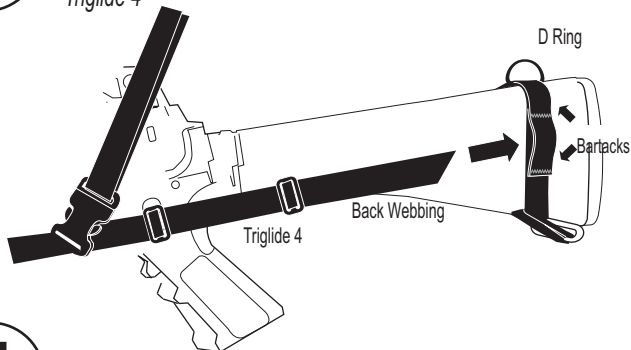
**2**

Insert the loose end of the *Fixed Buttstock Strap* through the triglide and secure it



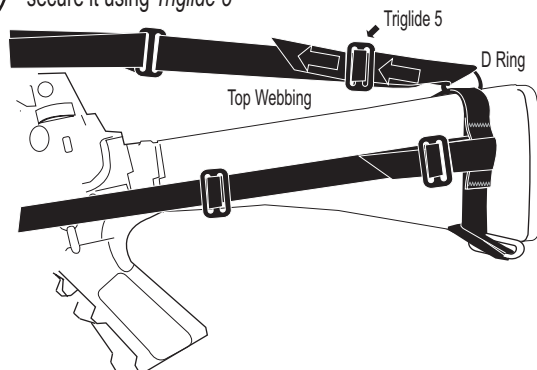
**3**

Insert the *Back Webbing* of the UNI-Sling 101 through the loop created between the *Barbats* on the *Fixed Buttstock Strap* and secure it using *Triglide 4*



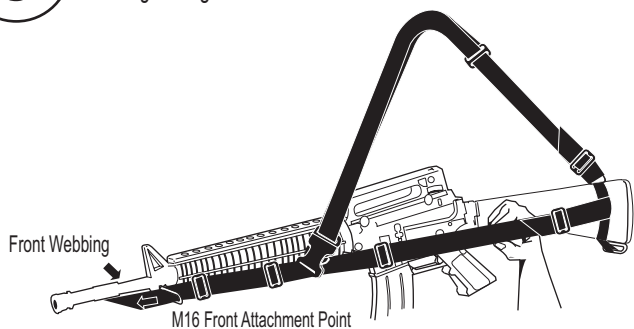
**4**

Insert the *Top Webbing* of the UNI-Sling 101 through the *D Ring* and secure it using *Triglide 5*



**5**

Place your fist between the sling and the rifle, as shown, and insert the *Front Webbing* through the *M-16 Front Attachment Point*



**6**

Back loop the *Front Webbing* of the UNI-Sling 101 through *Triglide 1*. Now you are all set to use your UNI-Sling 101 on your fixed buttstock rifle!

