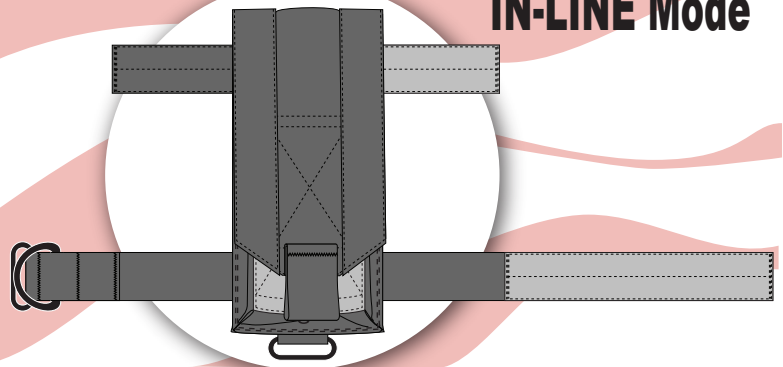


Ready Fire Mode

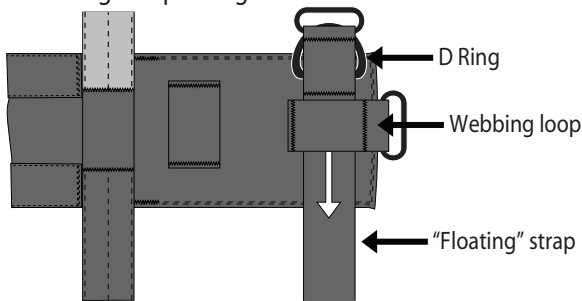
Modular Buttstock Magazine Pouch for Carbine/M4

Instructions for Ready Fire Mode M4 on Collapsible weapons.
Important: Only use "In-line mode" with collapsible buttstock fully extended or charging handle will not operate!

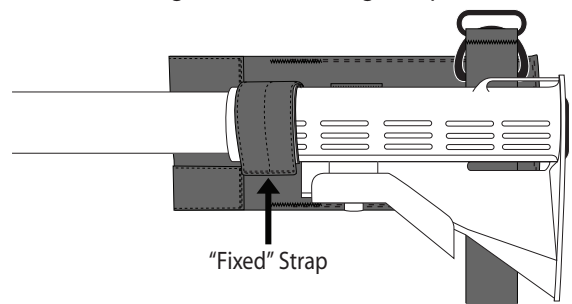
IN-LINE Mode



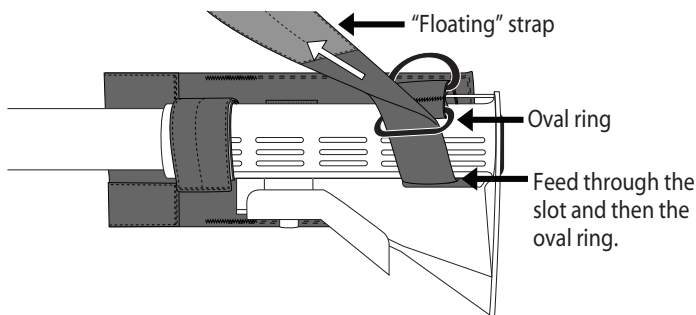
- 1** Insert a magazine into the pouch and close securely. Place pouch face down on a flat surface. Feed the "Floating" strap through the webbing loop with the D Ring of the "Floating" strap facing down.



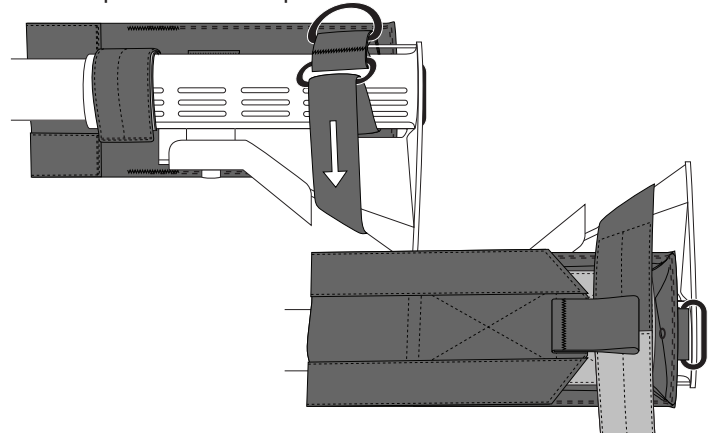
- 2** Lay the buttstock of the weapon over the pouch. Tightly secure the "Fixed" strap around front end of the sliding portion of the buttstock. This will hold the pouch in place while securing the rear "Floating" strap.



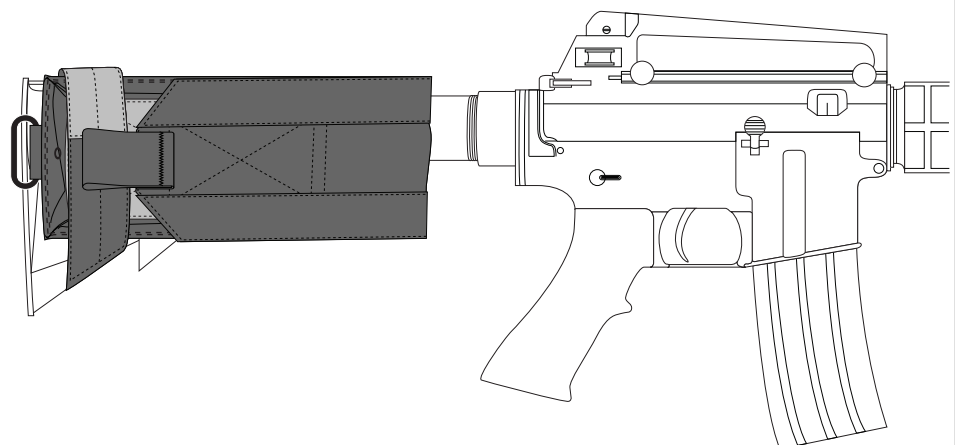
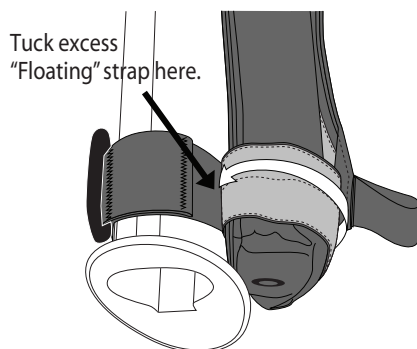
- 3** Feed the "Floating" strap through the lower slot of the buttstock and then through the oval ring.



- 4** Pull "Floating" strap firmly and wrap it around the bottom of the buttstock. The loop on the front of the pouch and hook on the "Floating" strap will match up to secure the pouch to the weapon.



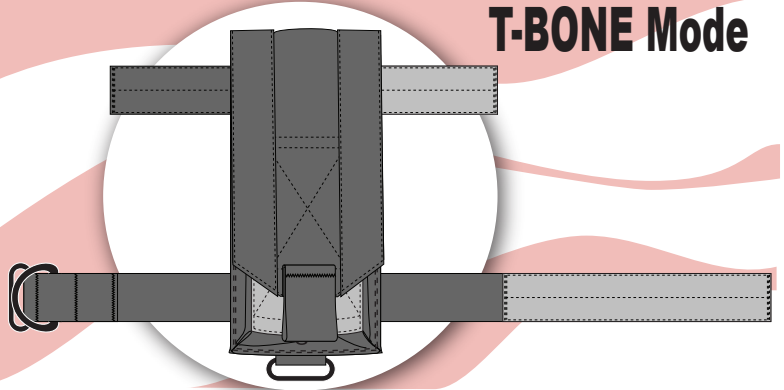
- 5** Tuck the loose end of the "Floating" strap back into the webbing loop between the weapon's buttstock and the pouch and you're ready!



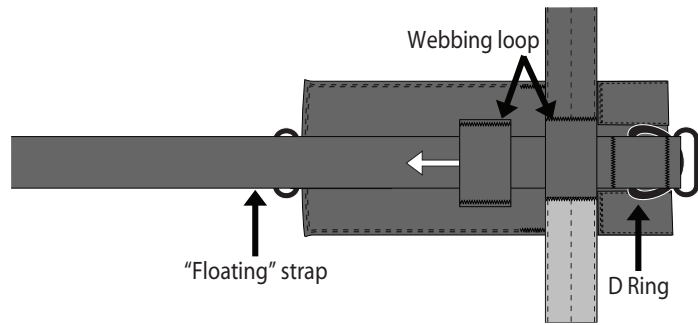
Ready Fire Mode

Modular Buttstock Magazine Pouch for Carbine/M4

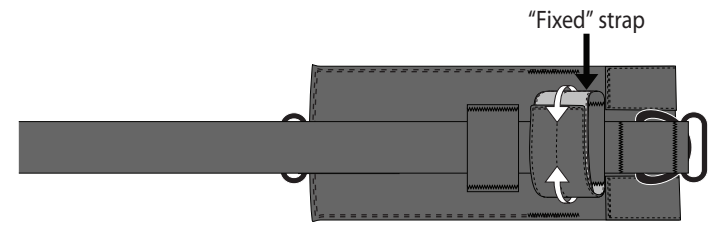
Instructions for Ready Fire Mode M4 on Collapsible weapons.
"T-Bone" mode allows full use of the charging handle in all buttstock positions.



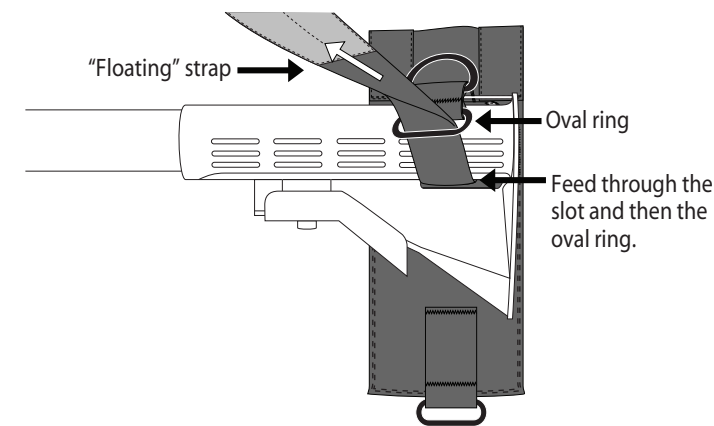
1 Insert magazine into pouch and close securely. Place pouch face down on a flat surface. Feed "Floating" strap through web loops with "D" ring facing down as shown.



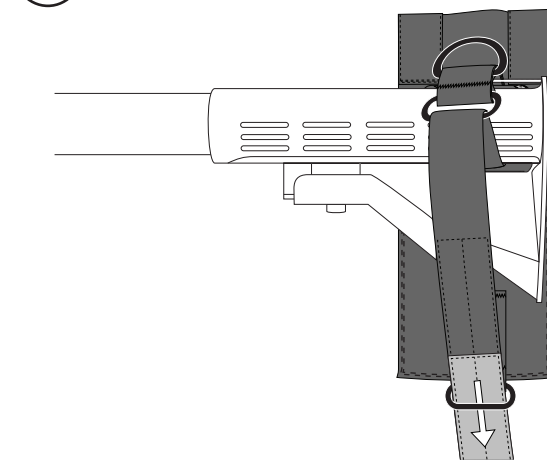
2 Closed the "Fixed" strap in on itself using the hook and loop on the webbing strap to secure it in place.



3 Lay the buttstock of the weapon on the pouch. Feed the "Floating" strap through the slot in the buttstock and then through the oval ring.



4 Feed the strap through the oval ring on bottom of the pouch.



5 Turn the weapon over so the pouch faces up. Open the pouch flap and attach the hook of the "Floating" strap to the loop on the front of the pouch as far up as possible to secure the pouch to the weapon. Close the pouch flap as far down as possible to tension the "Floating" strap to create a secure fit.

