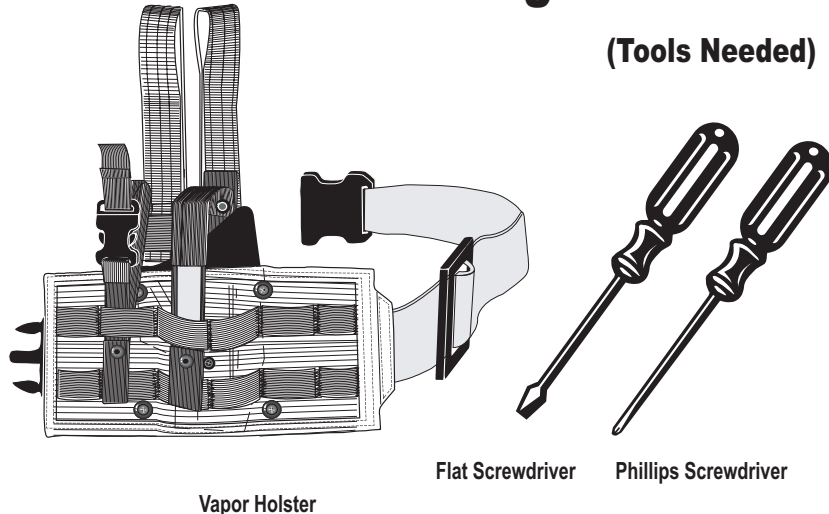







Thumb Break for Vapor Holster

SPEC.-OPS. ® BRAND

DO NOT PROCEED until you have completely read and comprehended the content of your firearm's instruction manual. **SPEC.-OPS.** Brand **WILL NOT BE HELD RESPONSIBLE FOR ANY ACTS OF IGNORANCE, CARELESSNESS, BLATANT STUPIDITY, OR OTHERWISE THAT COULD, MIGHT, OR DOES RESULT IN INJURY TO ANY PERSONS, PROPERTY, OR OTHERWISE WHEN USING A FIREARM IN CONJUNCTION WITH THIS PRODUCT.**

To adjust your Thumb Break you will need the following:



Thumb Break for Vapor Holster (Parts Kit)		
Thumb Break		1
Phillips Head Screw		2
Flat Head Post		2
Brass Washer		4
Rubber Washer		2

Adjustable Thumb Break:

- The slots on the thumb break allow for a wide range of adjustability both vertically and horizontally.
- **Side to Side Adjustment:** Thumb Break can be adjusted sideways by using the perforated slots.
- **Height Adjustment:** Adjust the height of the fixed part of the thumb break by releasing the screws that fasten the thumb break. Move up or down to desired height and re-tighten.
- To tighten the screws use a Phillips screwdriver and use a flat blade screwdriver to keep the post from turning on the back of the holster while the screws are being tightened.
- Make sure to thoroughly tighten screws **Thumb Break Slots** to prevent any movement of the Thumb Break.

