

# Kydex® Insert for Vapor Holster

# SPEC.-OPS.® BRAND

KYDEX® "CLICK-IN" INTERNAL SLEEVE HOLDS WEAPON SECURELY AND IN POSITION

**DO NOT PROCEED** until you have completely read and comprehended the content of your firearm's instruction manual. SPEC.-OPS. Brand WILL NOT BE HELD RESPONSIBLE FOR ANY ACTS OF IGNORANCE, CARELESSNESS, BLATANT STUPIDITY, OR OTHERWISE THAT COULD, MIGHT, OR DOES RESULT IN INJURY TO ANY PERSONS, PROPERTY, OR OTHERWISE WHEN USING A FIREARM IN CONJUNCTION WITH THIS PRODUCT.

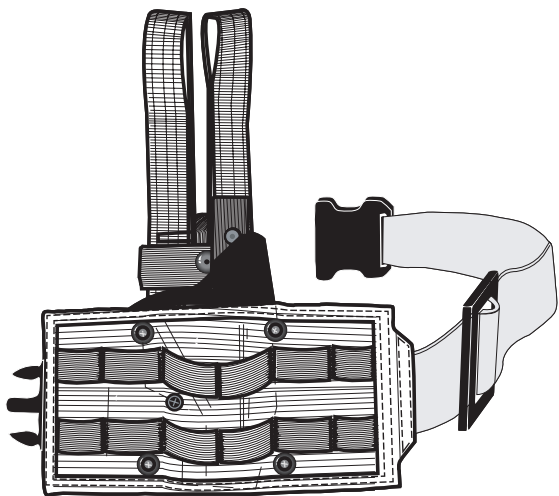
## \* IMPORTANT \*

**THIS INSERT IS INTENDED FOR THE GUN MODEL SPECIFIED IN THE PACKAGING LABEL ONLY. DO NOT USE THIS INSERT FOR A DIFFERENT GUN MODEL. FAILURE TO FOLLOW THIS RECOMMENDATION MAY RESULT IN ACCIDENTAL DISCHARGE OF THE FIREARM CAUSING SERIOUS INJURY OR DEATH.**

### Kydex® Insert for Vapor Holster (Parts Kit)

Kydex® Insert		1
Phillips Head Screw		2
Flat Head Post		2
Brass Washer		4

## To replace your Kydex® Insert You will need the following:



Vapor Holster

(Tools Needed)



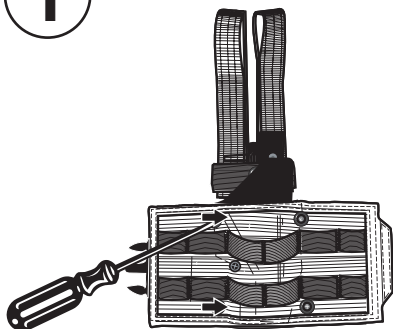
Flat Screwdriver



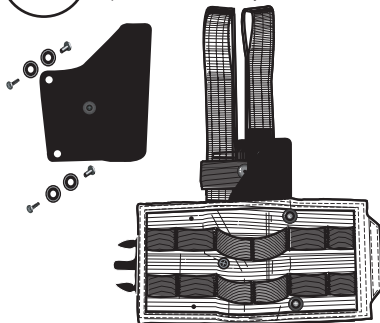
Phillips Screwdriver

**FOLLOW THE INSTRUCTIONS BELOW FOR THE REPLACEMENT OF YOUR VAPOR HOLSTER KYDEX® INSERT IN 4 EASY STEPS!**

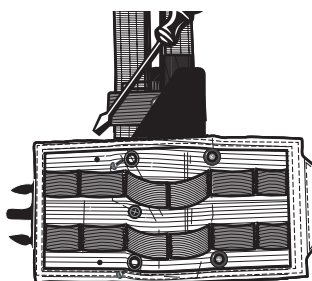
**1** Remove the top and bottom screws that hold the insert



**2** Remove the insert in your holster and place the new one in your holster



**3** Tighten the screws with a Phillips screwdriver. Use the flat screwdriver to keep the post from turning while the screws are being tightened



**4** Use the Tension Adjuster Screw for a tighter hold on the weapon

