

SPEC.-OPS[®] BRAND

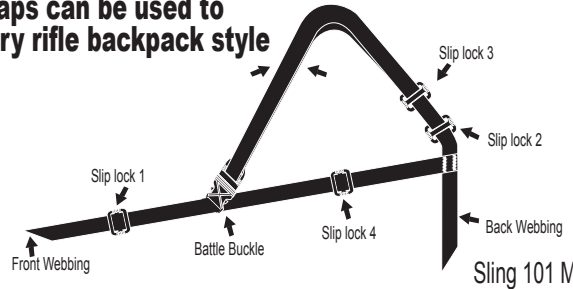
IMPROVED DESIGN

Instructions for Sling 101 M-4 Assembly

Assembly Parts List

WORKS FOR EITHER SIDE OR BOTTOM SLING SWIVELS

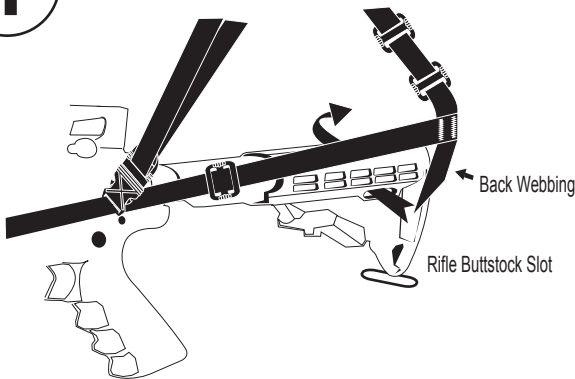
Straps can be used to carry rifle backpack style



FOLLOW THESE INSTRUCTIONS STEP BY STEP FOR THE ASSEMBLY OF THE SLING 101 M-4. THE SLING 101 M-4 IS LOOPED AND ATTACHED TO THE M-4 IN TWO DIFFERENT LOCATIONS, FRONT AND BACK OF THE RIFLE. FOLLOW STEPS 1 THROUGH 4 UNTIL YOU FINISH THIS SIMPLE PROCESS.

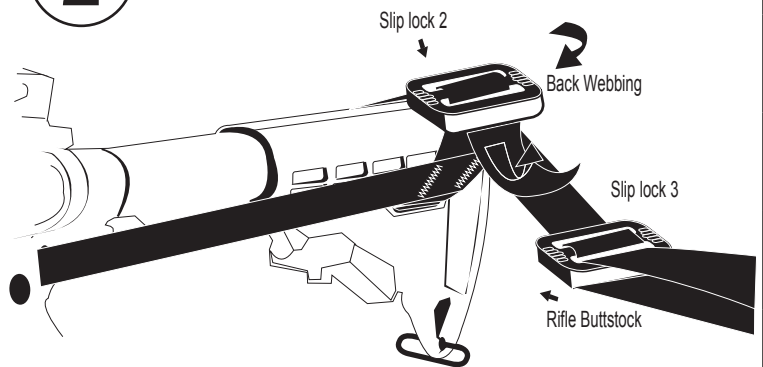
1

Insert the back webbing of the Sling 101 M-4 through rifle buttstock slot.



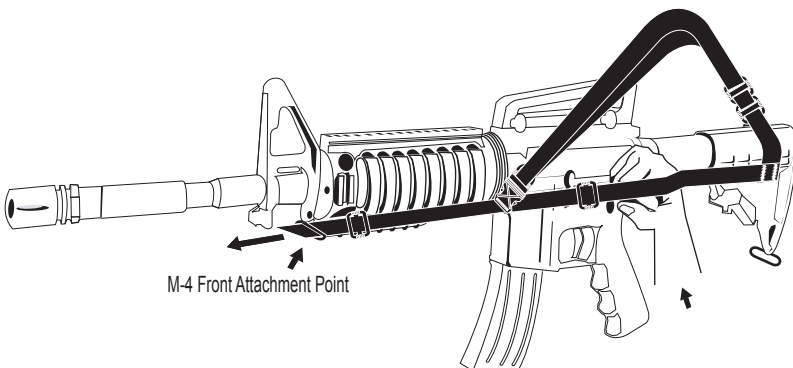
2

Loop the webbing of the Sling 101 M-4 through the back on Slip lock 2.



3

Place your fist between the sling and the rifle, as shown, and insert the front webbing through the front attachment point of the M-4.



4

Loop the webbing of the Sling 101 M-4 through Slip lock 1. Now you are all set to use your Sling 101 M-4.

