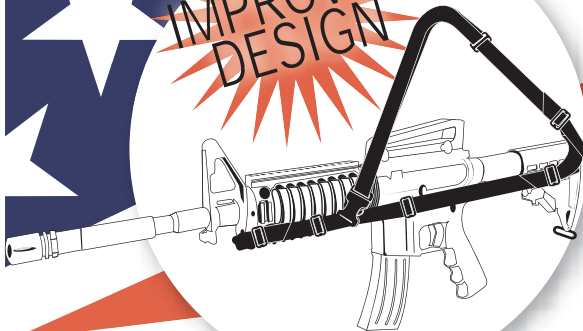


SPEC.-OPS[®] BRAND

IMPROVED DESIGN



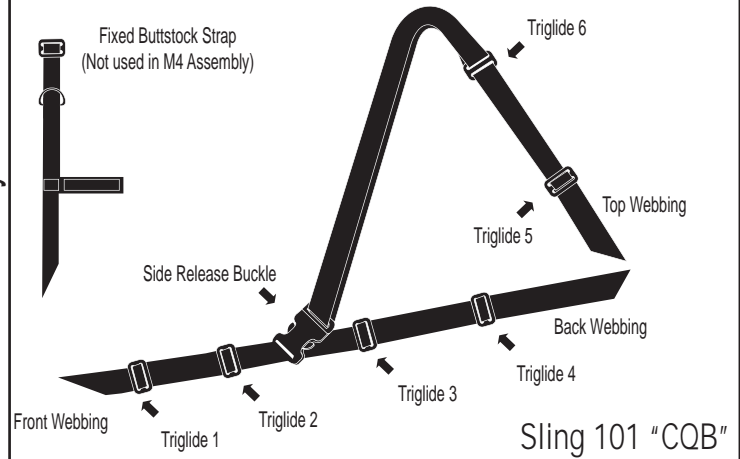
M-4 Assembly

Instructions for Sling 101 "CQB"

Fits Collapsible and Fixed Stock

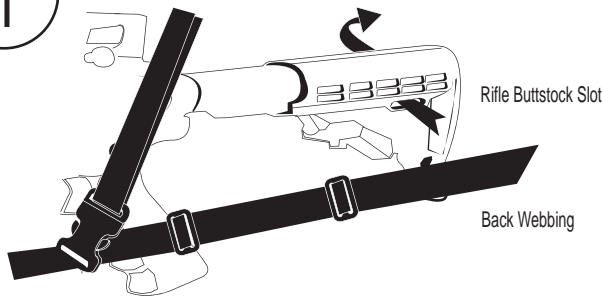
WORKS FOR EITHER SIDE OR BOTTOM SLING SWIVELS

Assembly Parts List

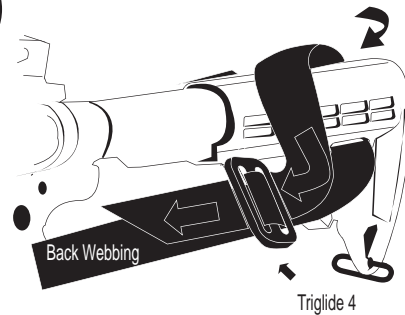


FOLLOW STEPS 1 THROUGH 6 FOR THE ASSEMBLY OF THE Sling 101 "CQB". USE THE ASSEMBLY PARTS LIST FOR REFERENCING THE DRAWINGS. NOTE: THE FIXED BUTTSTOCK STRAP IS INTENDED FOR THE ASSEMBLY OF THE Sling 101 "CQB" ON M-16 RIFLES ONLY.

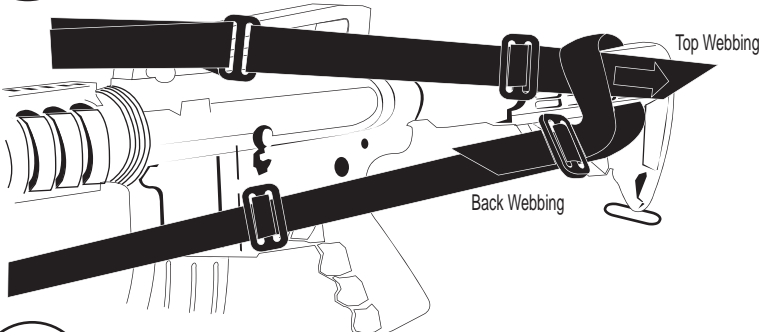
1 Insert the *Back Webbing* of the Sling 101 "CQB" through rifle buttstock slot



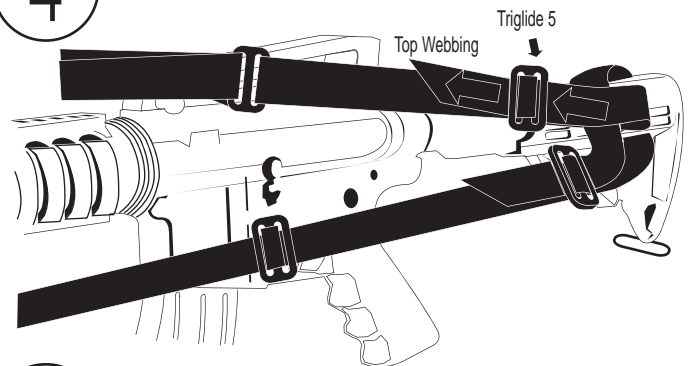
2 Loop the *Back Webbing* of the Sling 101 "CQB" through *Triglide 4*



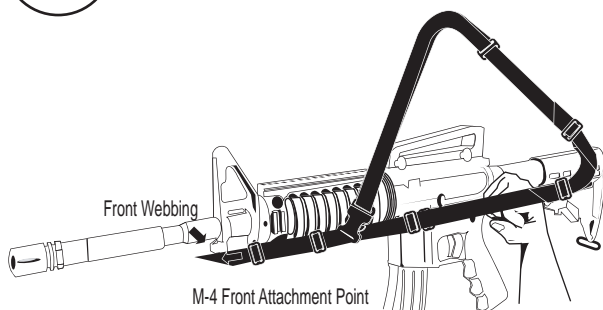
3 Loop the *Top Webbing* of the Sling 101 "CQB" through the loop created by the *Back Webbing* in step 2



4 Loop the *Top Webbing* of the Sling 101 "CQB" through *Triglide 5*



5 Place your fist between the sling and the rifle, as shown, and insert the *Front Webbing* through the *M-4 Front Attachment Point*



6 Back loop the *Front Webbing* of the Sling 101 "CQB" through *Triglide 1*. Now you are all set to use your Sling 101 "CQB" on your collapsible buttstock rifle!

